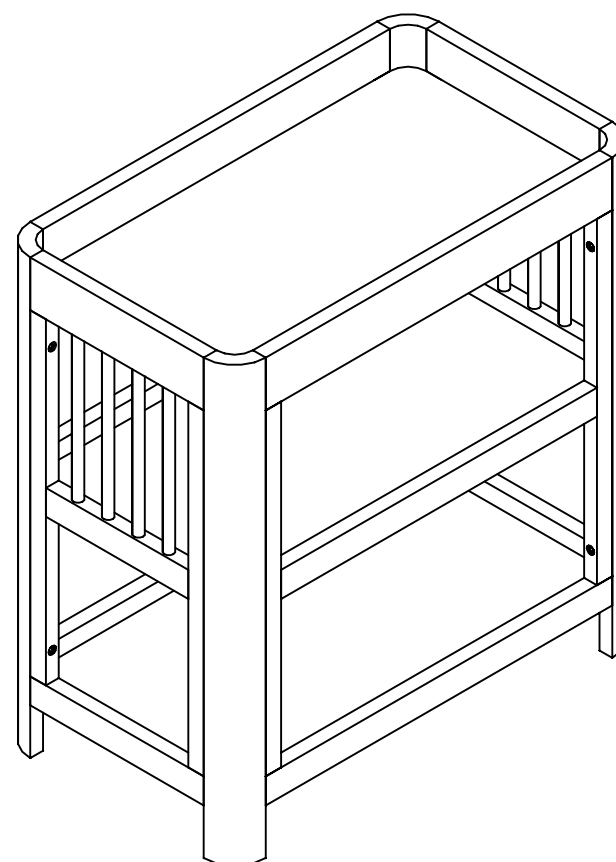
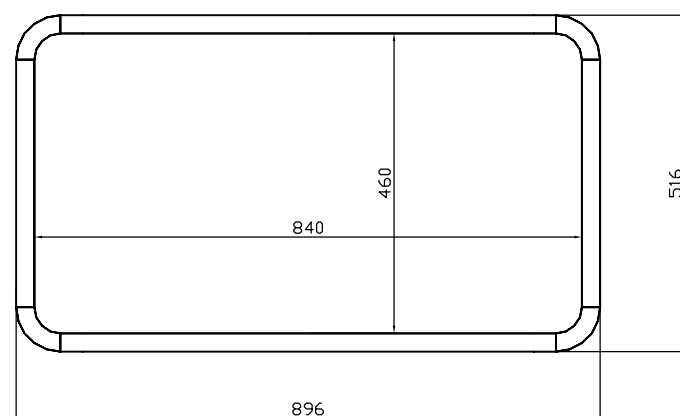
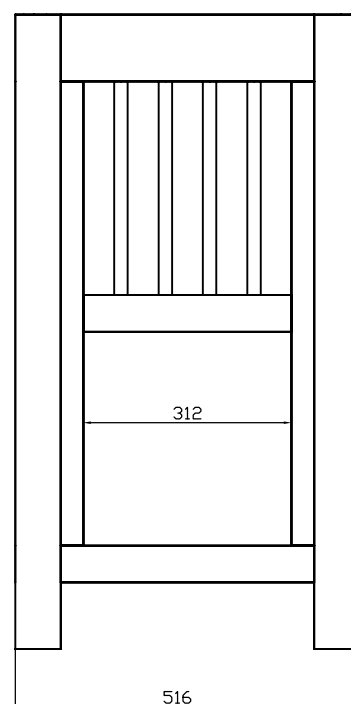
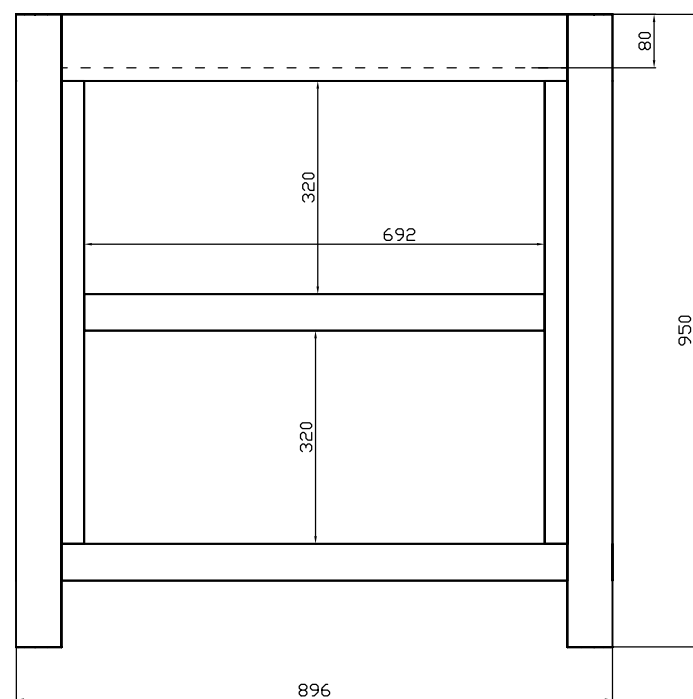
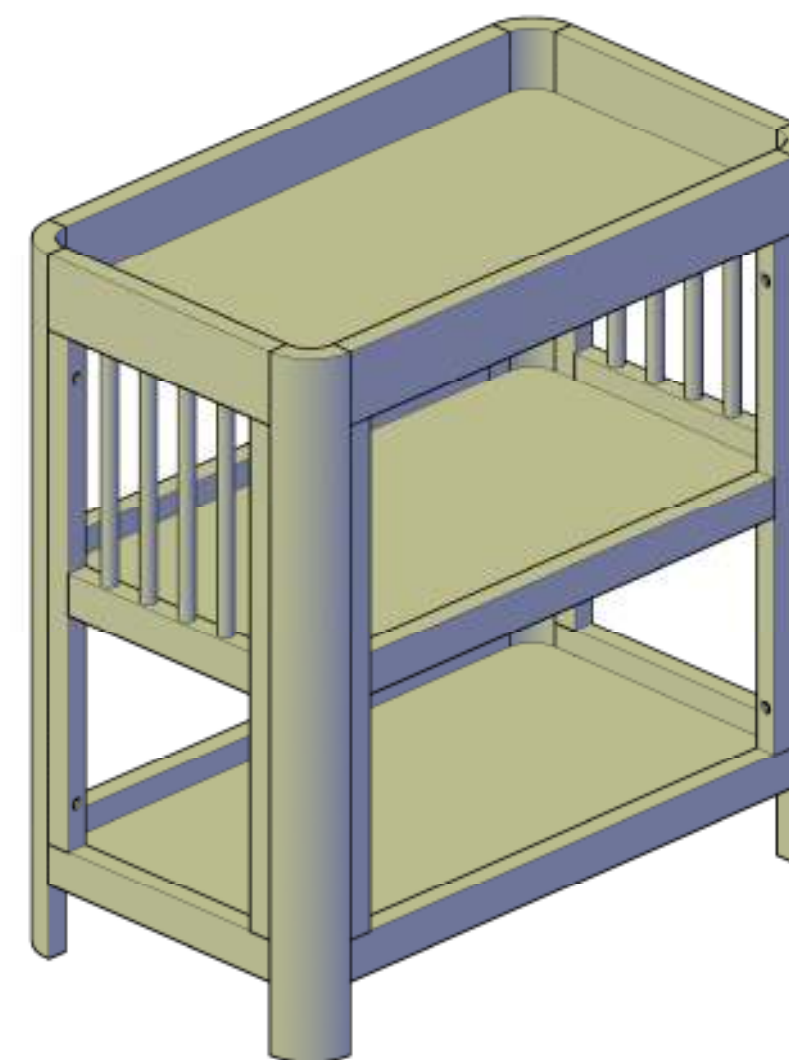


**DIMENSIONS**



**PICTURE**



**DRAWING**

**DESCRIPTION:**

- \* Changing area: 84 x 46 cm
- \* 2 shelves

	SIA "TROLL Smiltene"
	Customer: USA, UK, AUSTRALIA
	Model: SUN CHANGING TABLE
	Art. number: CTL-SU0348
	Date: 24.02.2012